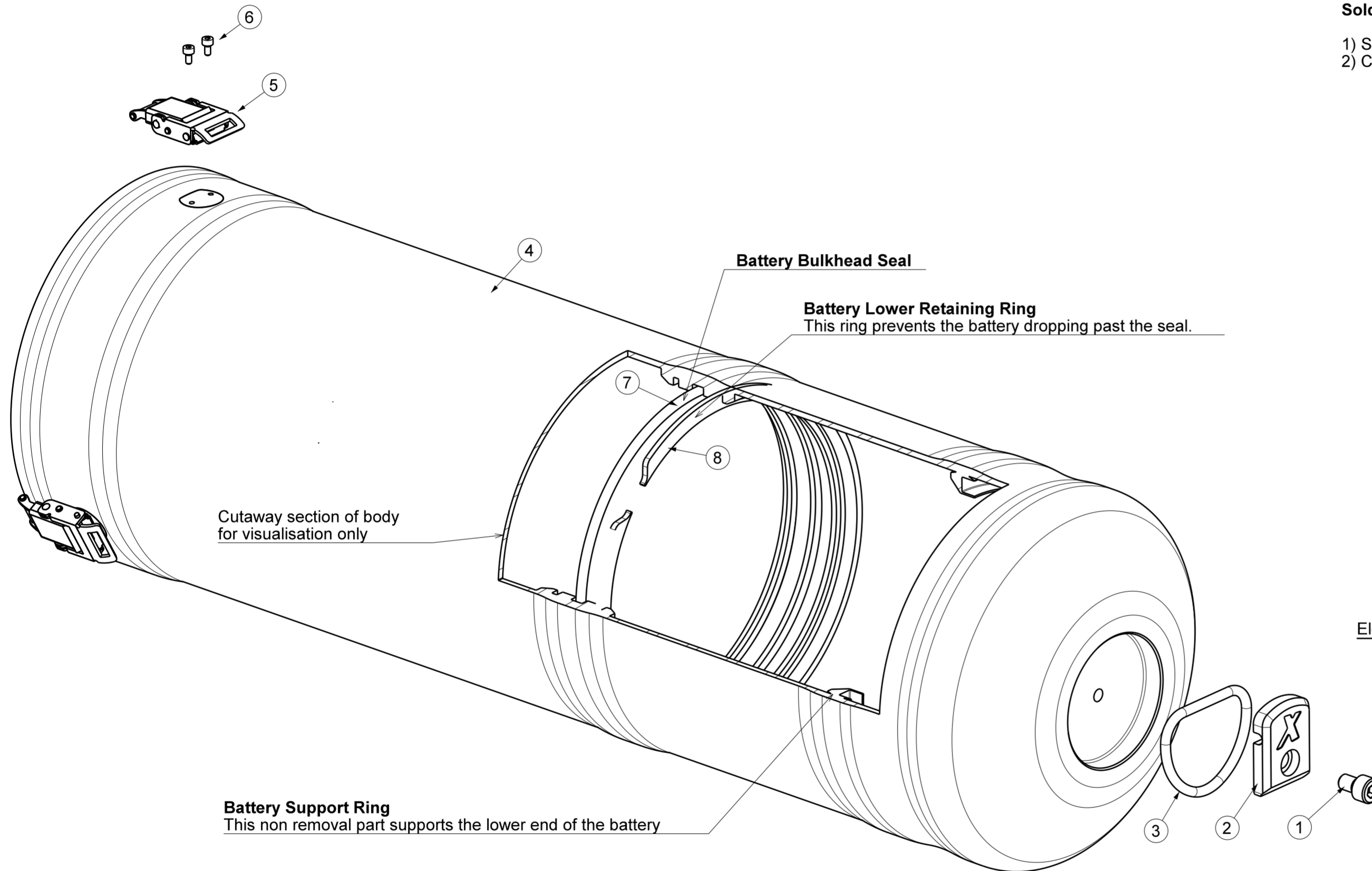


Rev.	Description	Date
1	New Release	8/13/08

CUDA Body Assembly

CUDA 550 and 850 body assemblies are similar, just having a different length



Isometric view
Scale: 1:2

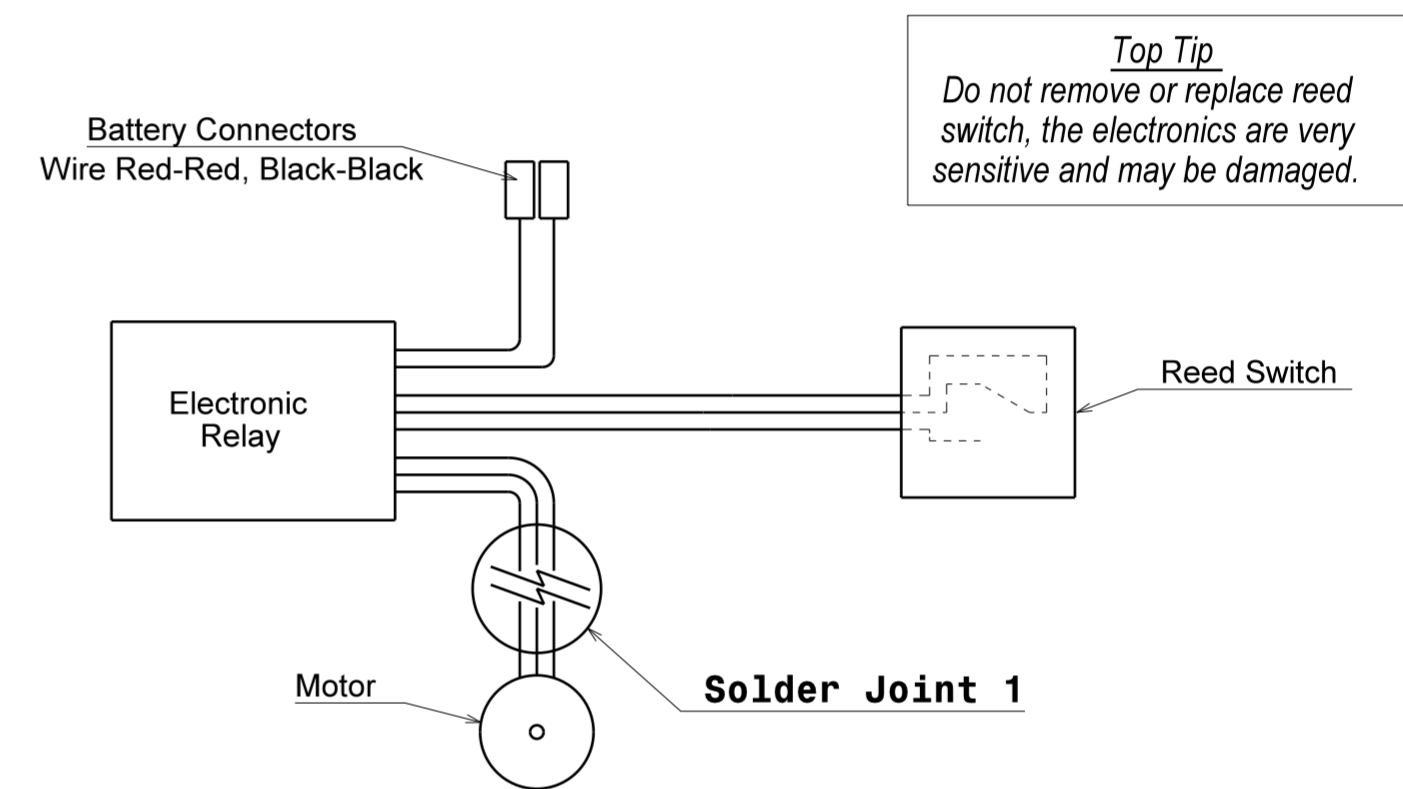
Item No.	Quantity	Dive Xtras Part No.	Description
1	1	M8x12-SHCS	M8 x 12 Metric Socket Head Cap Screw 316 Stainless steel
2	1	010-2001	Zinc Bracket, D-Ring, Body
3	1	000-0120-SST-2"	2" Stainless D-Ring
4	1	020-2101-13Ah	CUDA Body Weldment, 13Ah
5	3	HC-83314-LALB-SS	Catch
6	6	M3x6-SHCS	M3 x 6 Metric Socket Head Cap Screw, 316 Stainless Steel
7	1	2-365-O-RING	O Ring, 2-365, Nitrile
8	1	010-1011	Lower Retaining Ring, Battery

Electrical Circuit

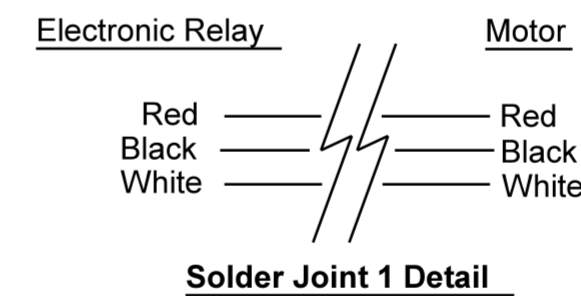
The diagram below shows the electrical circuit. Replacement electronics come complete requiring only the connection of solder joint 1

Solder Joints

- 1) Solder wires as shown, matching colors
- 2) Cover bare joints with heat shrink.



Top Tip
Do not remove or replace reed switch, the electronics are very sensitive and may be damaged.



Top Tip
If Motor Runs Backwards, Resolder The Wires:
Red/Red
Black/White
White/Black
(Swap the Black And White Wires)

diveX © DIVE XTRAS 2008 ALL RIGHTS RESERVED
THIS DOCUMENT IS SUPPLIED IN CONFIDENCE. NO REPRODUCTION OF THE DOCUMENT OR ANY PART OF IT OR OF THE ITEMS SHOWN THEREON MAY BE MADE WITHOUT THE COPYRIGHT OWNERS WRITTEN PERMISSION.

THIRD ANGLE PROJECTION

All dimensions are in mm. Deburr & Break all sharp edges

Engineer:
Ben McGeever

CUDA Body Assbly Exploded View & Electrical Diagram Sheet

Drawing No:	Rev	1
xxx	1	1