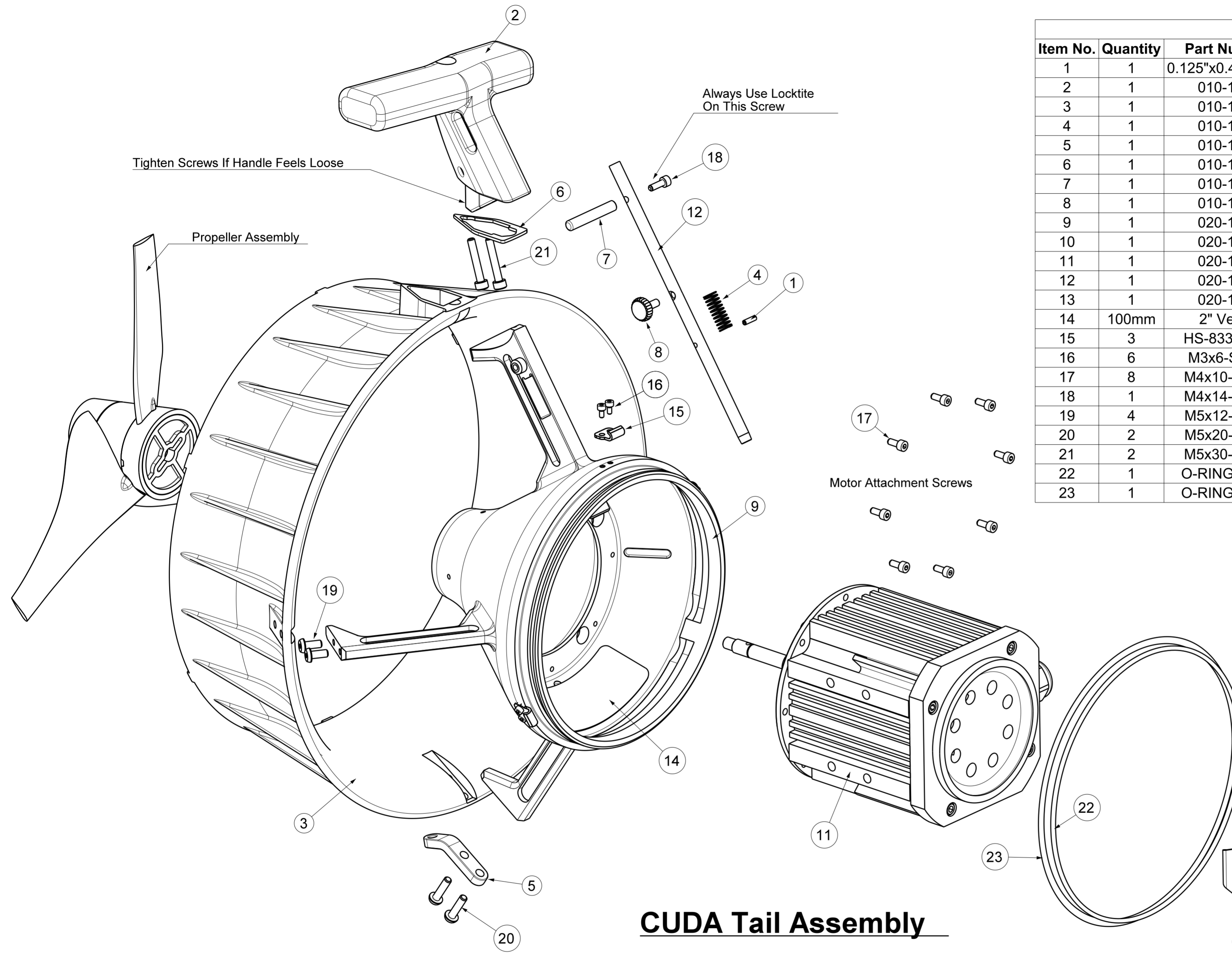


Rev.	Description	Date
1	New Release	8/13/08



Tail Assembly

Item No.	Quantity	Part Number	Definition
1	1	0.125"x0.4375"-SP	18-8 stainless spring pin, 1/8" dia, 7/16" lg
2	1	010-1002	Handle, Tail
3	1	010-1004	Shroud, Prop
4	1	010-1005	COMPRESSION SPRING
5	1	010-1012	Lower Handle, Tail
6	1	010-1013	Handle, Shim
7	1	010-1103	TRIGGER, TRIGGER
8	1	010-1400	THUMB SCREW
9	1	020-1001	WELDMENT, TAIL
10	1	020-1002	Mounting Bracket, Drive, CUDA
11	1	020-1007	Motor, CUDA
12	1	020-1150	Control Rod Assembly, Trigger.
13	1	020-1500	Electronic Relay Assembly, CUDA
14	100mm	2" Velcro	Adhesive Velcro Strip
15	3	HS-83314-SS	STRIKE PLATE.
16	6	M3x6-SHCS	M3x6 SHCS, 316 STAINLESS
17	8	M4x10-SHCS	M4x10-SHCS, 316 STAINLESS
18	1	M4x14-SHCS	M4x14-SHCS, 316 STAINLESS
19	4	M5x12-SHBS	M5x12-SOCKET HEAD BUTTON SCREW, 316 STAINLESS
20	2	M5x20-SHBS	M5x20-SOCKET HEAD BUTTON SCREW, 316 STAINLESS
21	2	M5x30-SHCS	M5x30 SHCS, 316 STAINLESS
22	1	O-RING-2-261	O-RING, NITRILE, 2-261
23	1	O-RING-2-263	O-RING, NITRILE, 2-263

Reed Switch Positioning.

The position of the reed switch on its shaft is important to ensure correct operation of the trigger. When repositioning, ensure trigger activates at about 50% travel and that it stays activated at 100% travel.

CUDA Tail Assembly

Electronic Relay, Includes Reed Switch And Battery Connectors.

diveX © DIVE XTRAS 2008 ALL RIGHTS RESERVED
 THIS DOCUMENT IS SUPPLIED IN CONFIDENCE. NO REPRODUCTION OF THE DOCUMENT OR ANY PART OF IT OR OF THE ITEMS SHOWN THEREON MAY BE MADE WITHOUT THE COPYRIGHT OWNERS WRITTEN PERMISSION.

THIRD ANGLE PROJECTION

All dimensions are in mm. Debur & Break all sharp edges
 Engineer: **Ben McGeever**

CUDA Tail Assembly Exploded View

Drawing No: xxx Rev 1 Sheet 1