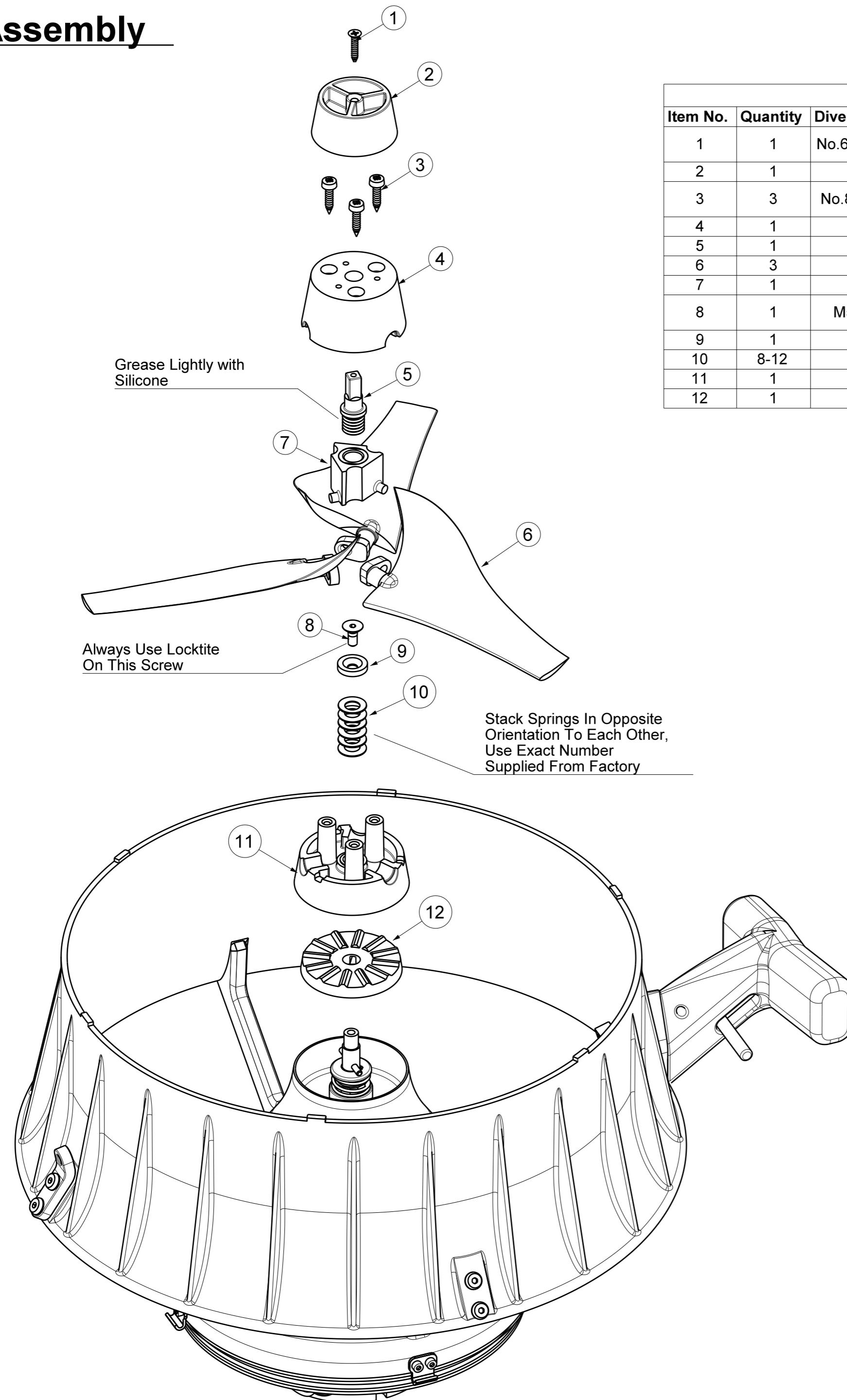


# Propeller Assembly

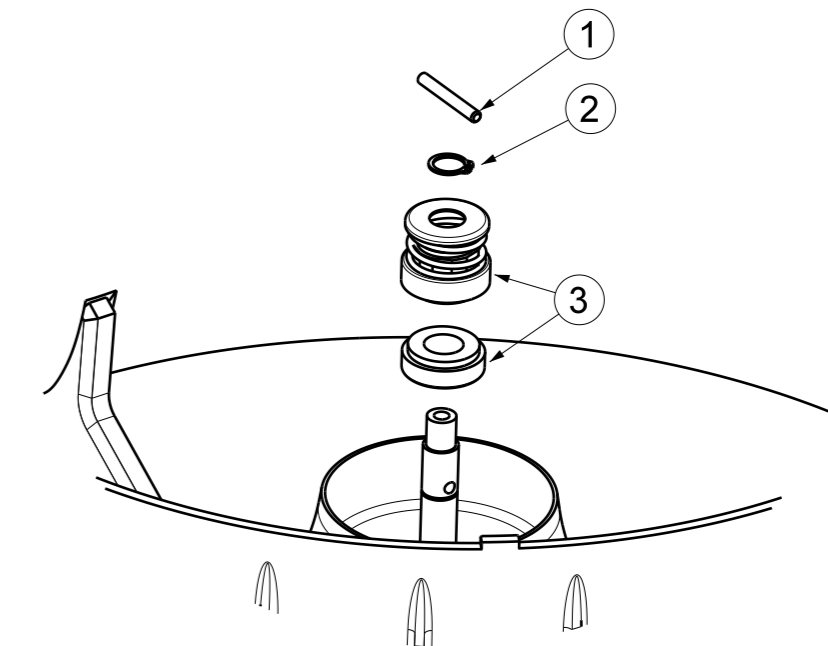
Rev.	Description	Date
1	New Release	3/9/05
2	Updated	2/1/08



Propeller Assembly			
Item No.	Quantity	Dive Xtras Part No.	Description
1	1	No.6x0.75"-FHSMS	No. 6 x 0.75" Flat Head Phillips Sheet Metal Screw 316 SS
2	1	010-1303	Knob, Variable Pitch.
3	3	No.8x.75"-PHSMS	No.8 x 0.75" Pan Head Phillips Sheet Metal Screw 316 SS
4	1	010-1304	Hub, Outer
5	1	010-1305	Shaft, Yoke.
6	3	010-1301	Blade, Propeller.
7	1	010-1306	Yoke, Prop Blade.
8	1	M5x12-FHSCS	M5 x 12 Metric Flat Head Socket Cap Screw 316 Stainless steel
9	1	010-1308	Washer, Clutch.
10	8-12	010-1309	WASHER, CLUTCH SPRING
11	1	010-1310	Hub, Inner.
12	1	010-1311	Plate, Clutch.

Rear Seal Assembly			
Item No.	Quantity	Dive Xtras Part No.	Description
1	1	010-1315	Dowel pin. 0.125" Dia. 1" Long. SS
2	1	010-1314	Retaining Ring. 0.375" Dia Shaft. SS
3	1	010-1008	Seal, Shaft.

## Rear Shaft Seal Detail



**diveX** © DIVE XTRAS 2008 ALL RIGHTS RESERVED  
 THIS DOCUMENT IS SUPPLIED IN CONFIDENCE. NO REPRODUCTION OF THE DOCUMENT OR ANY PART OF IT OR OF THE ITEMS SHOWN THEREON MAY BE MADE WITHOUT THE COPYRIGHT OWNERS WRITTEN PERMISSION.

THIRD ANGLE PROJECTION	Engineer: <b>Ben McGeever</b>
All dimensions are in mm. Deburr & Break all sharp edges	<b>Propeller Assembly Exploded View</b>
Drawing No: <b>xxx</b>	Sheet <b>1</b>
Rev <b>1</b>	<b>1</b>