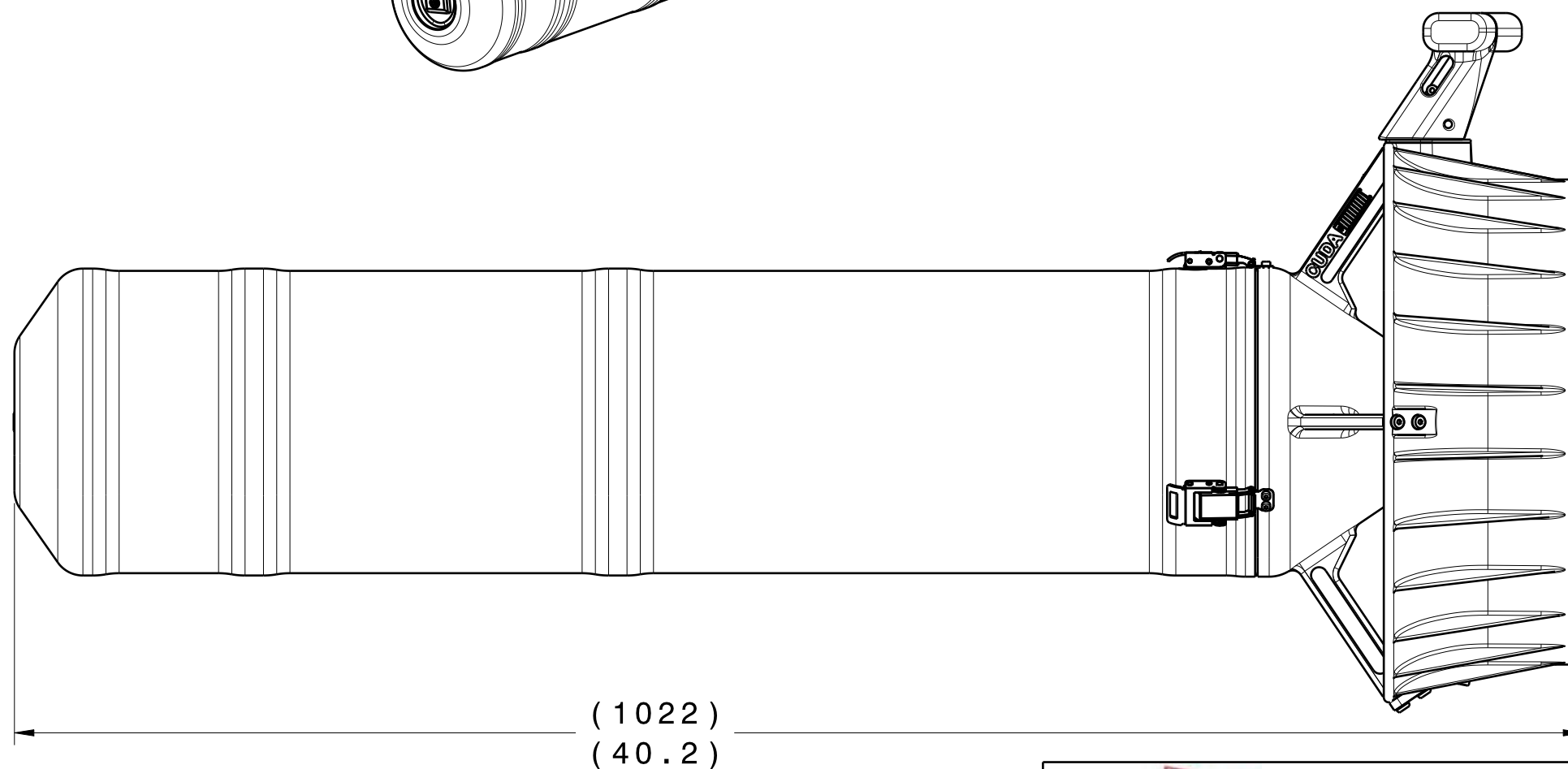
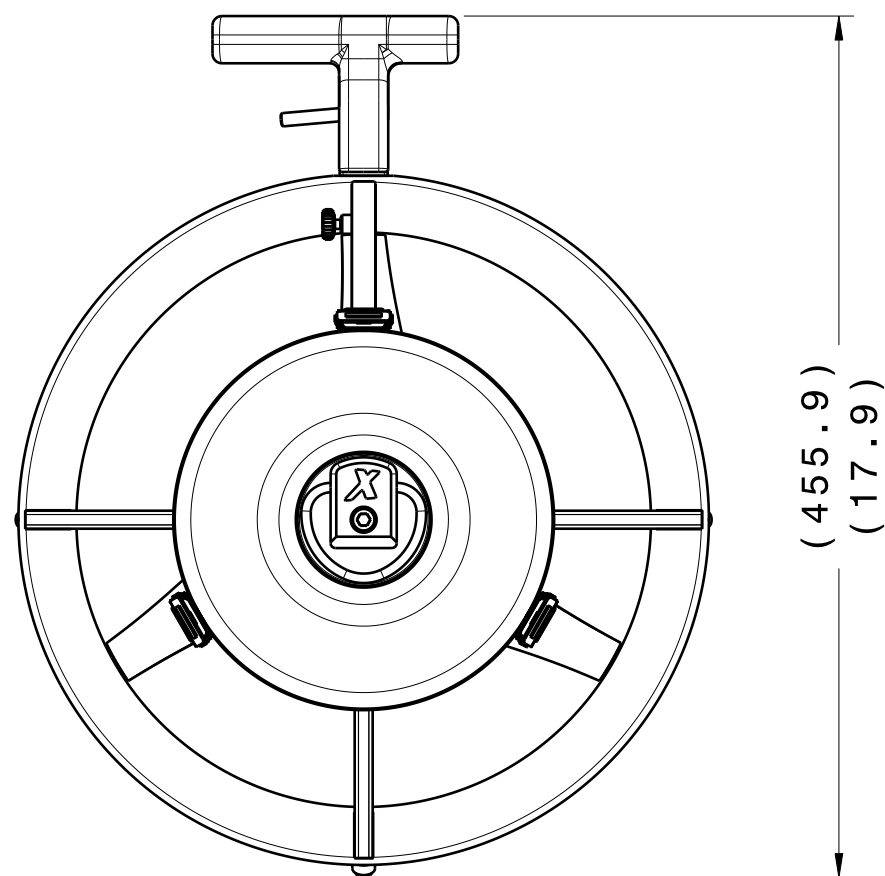
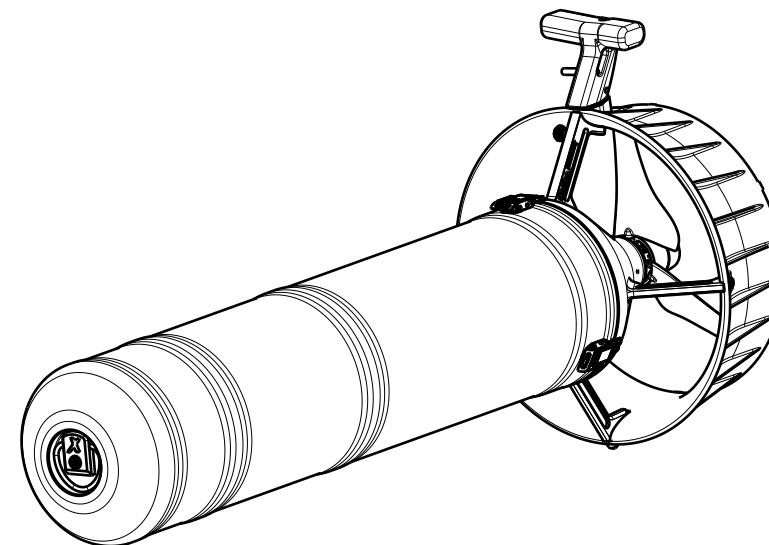


Rev.	Description	Date
1	New Release	01-10-08



**diveX** © DIVE XTRAS 2008 ALL RIGHTS RESERVED  
 THIS DOCUMENT IS SUPPLIED IN CONFIDENCE. NO REPRODUCTION OF THE DOCUMENT OR ANY PART OF IT OR OF THE ITEMS SHOWN THEREON MAY BE MADE WITHOUT THE COPYRIGHT OWNERS WRITTEN PERMISSION.

THIRD ANGLE PROJECTION

All dimensions are in mm.  
 Deburr & Break all sharp edges

Engineer:  
**Ben McGeever**

**CUDA 850 Diagram**

Drawing No:	Rev	Sheet
	1	1

Weight, ready to dive, fresh water: 62 lbs / 28kg