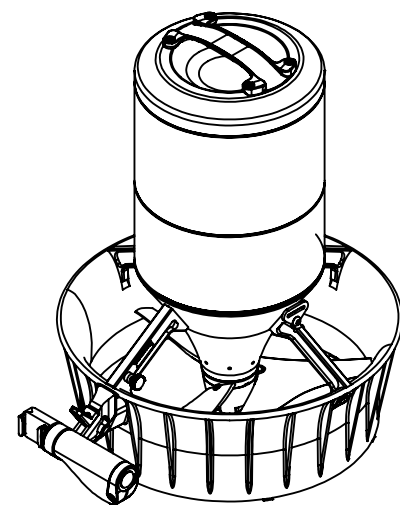
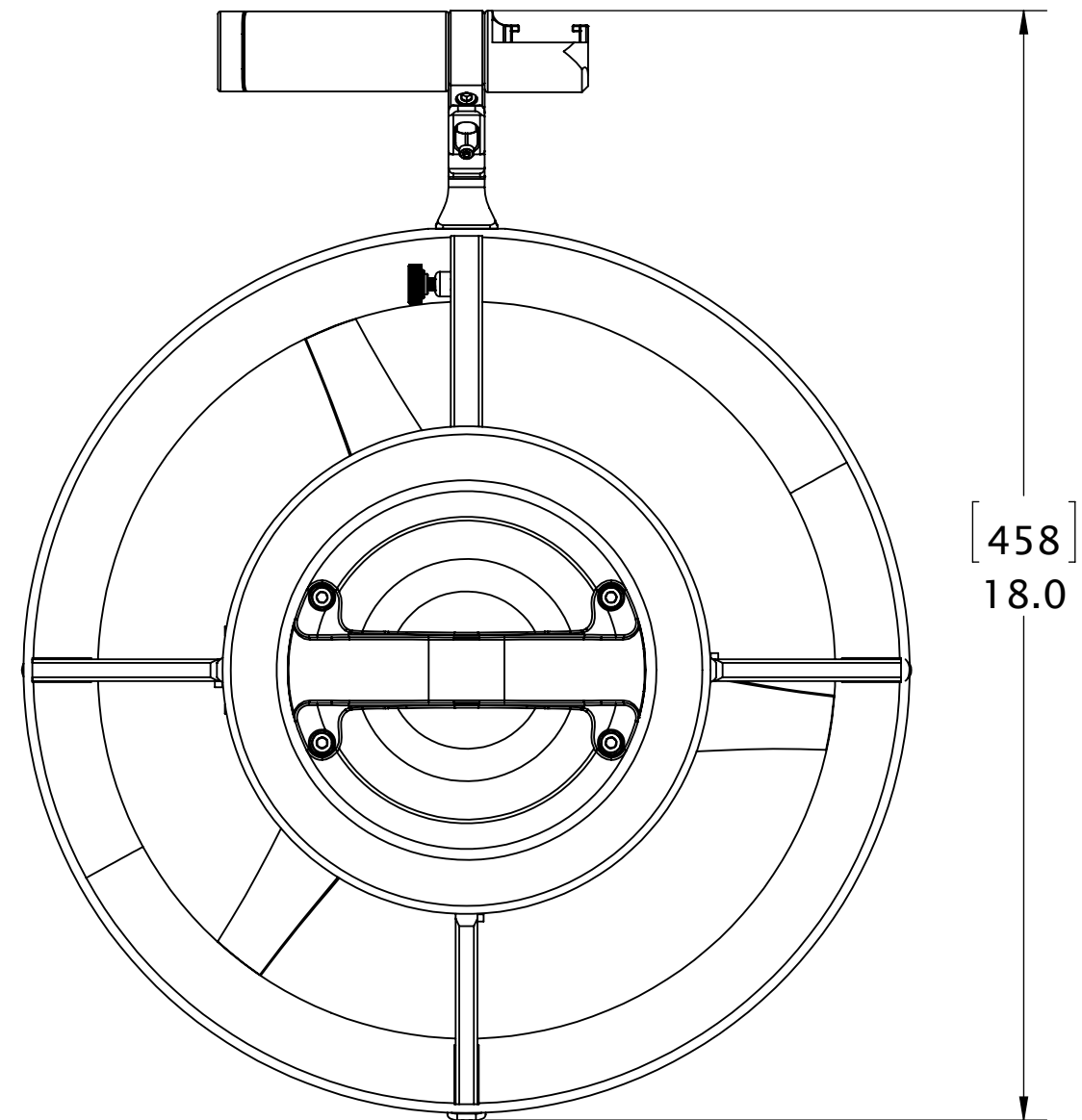
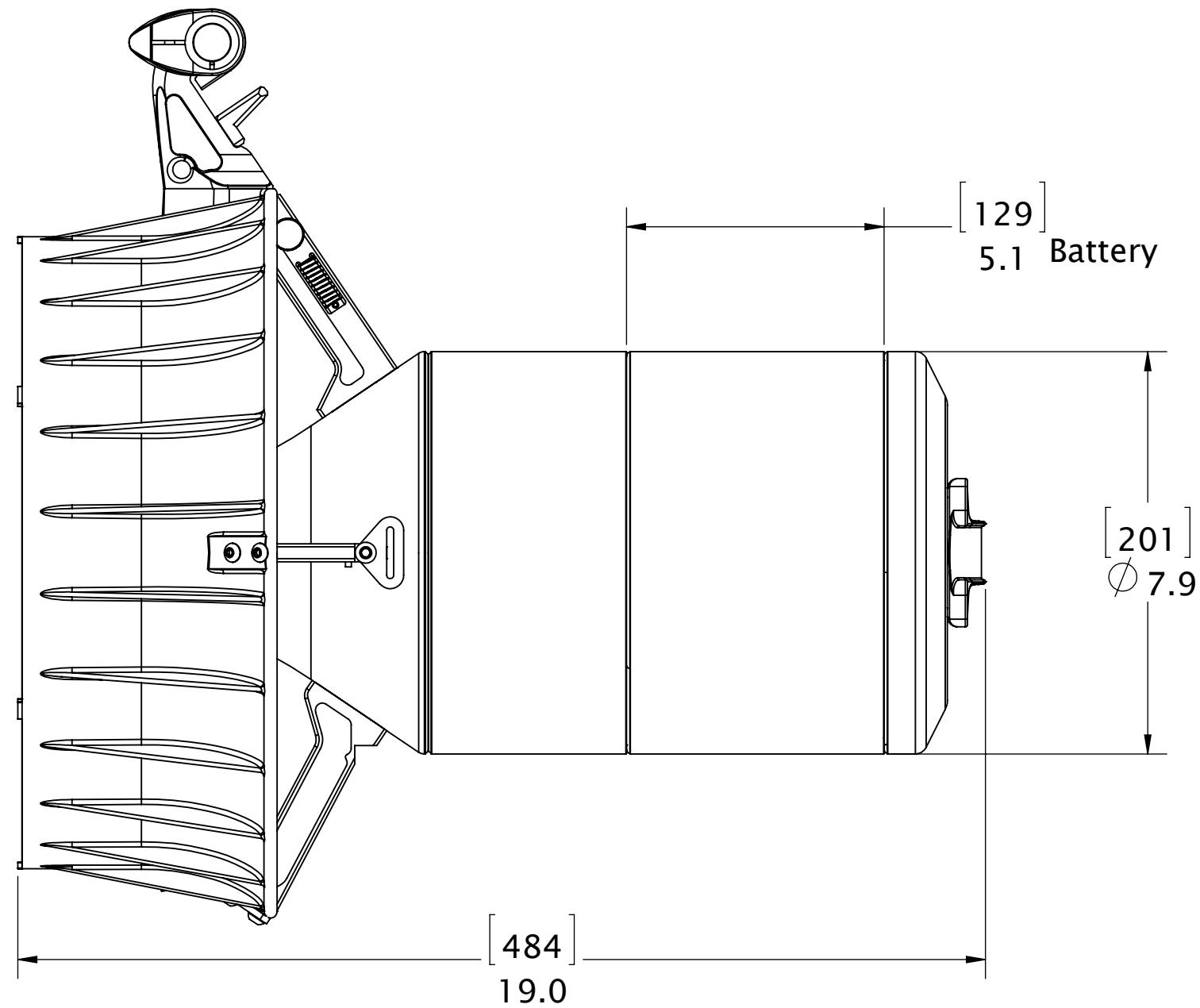


Rev	Description	Date
1	Document release	7/1/15



- P1 = 19" (484mm) Long 24.6 lbs
- P2 = 24.1"(613mm) Long 34 lbs
- P3 = 29.2" (742mm) Long 41 lbs

diveX

© Dive Xtras 2015
ALL RIGHTS RESERVED

THIS DOCUMENT IS THE PROPERTY OF DIVE XTRAS, INC. AND CONTAINS CONFIDENTIAL AND PROPRIETARY INFORMATION OF SAME. NEITHER IT NOR THE INFORMATION CONTAINED HEREIN SHALL BE DISCLOSED TO, DUPLICATED NOR USED BY OTHERS EXCEPT AS AUTHORIZED IN WRITING BY DIVE XTRAS, INC.

Units: METRIC
THIRD ANGLE PROJECTION
Drawn By: Kevin Govan

Piranha Diagram

Drawing No: xxx
Rev 1 Sheet 1 of 1