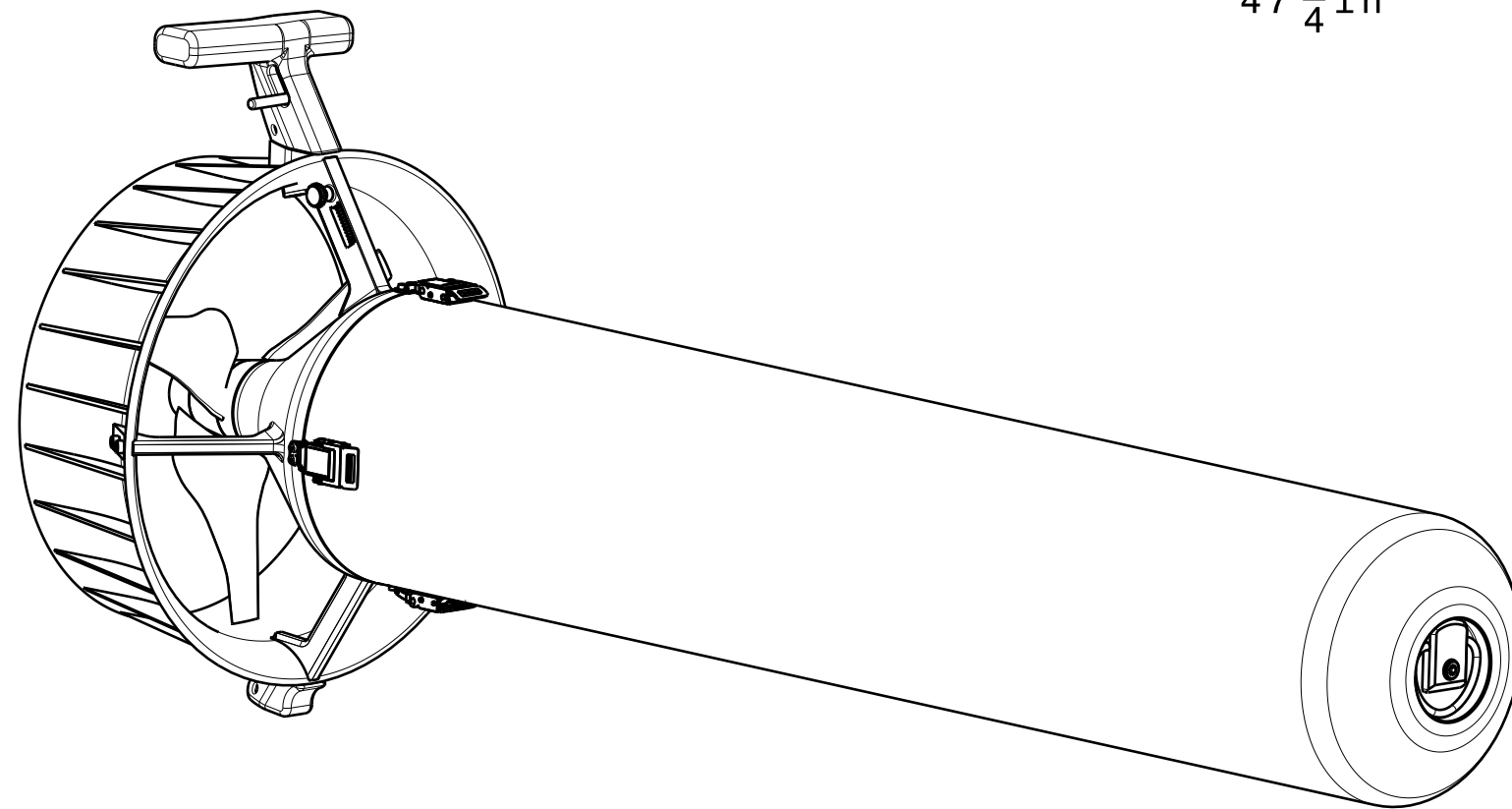
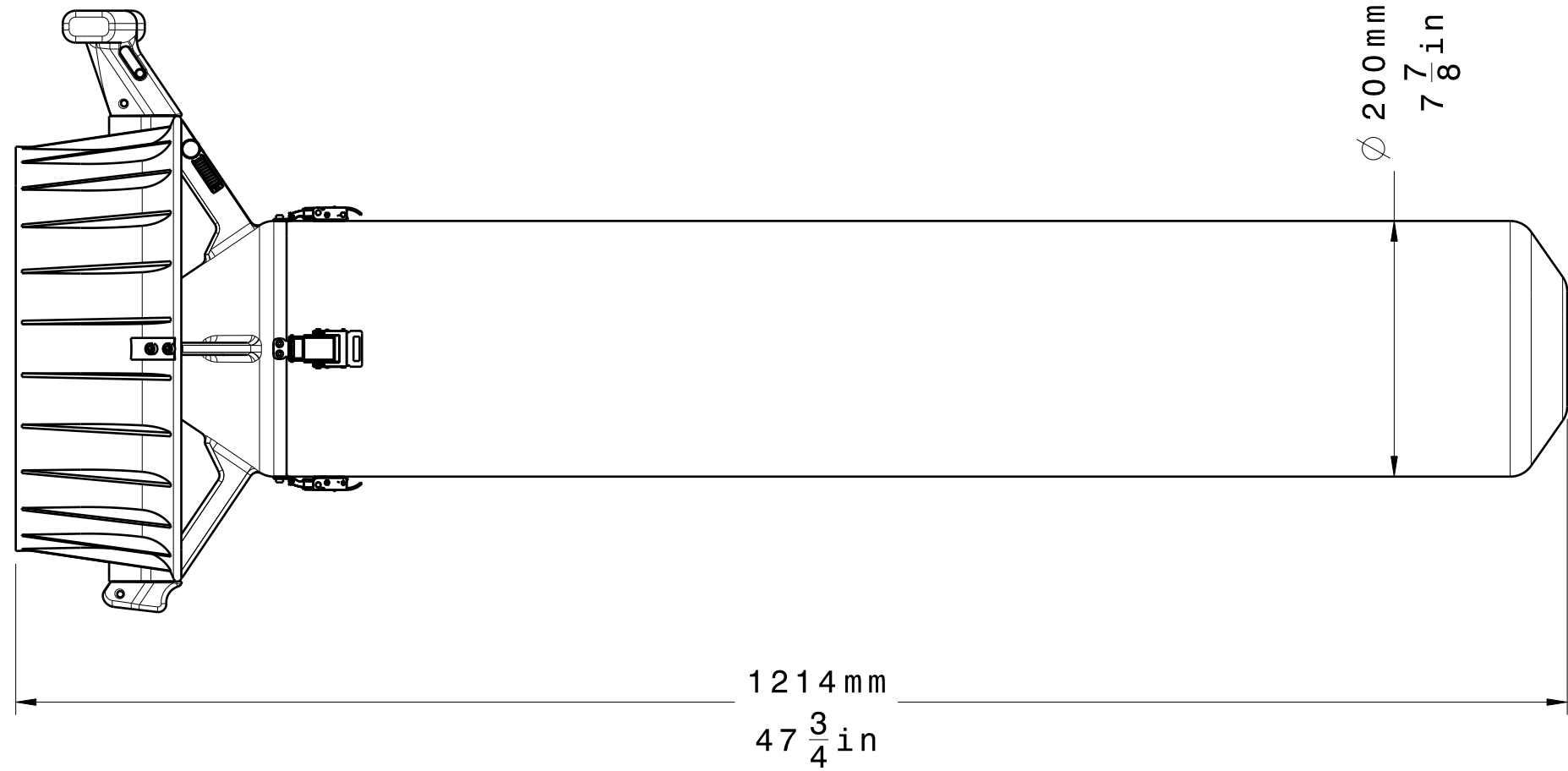
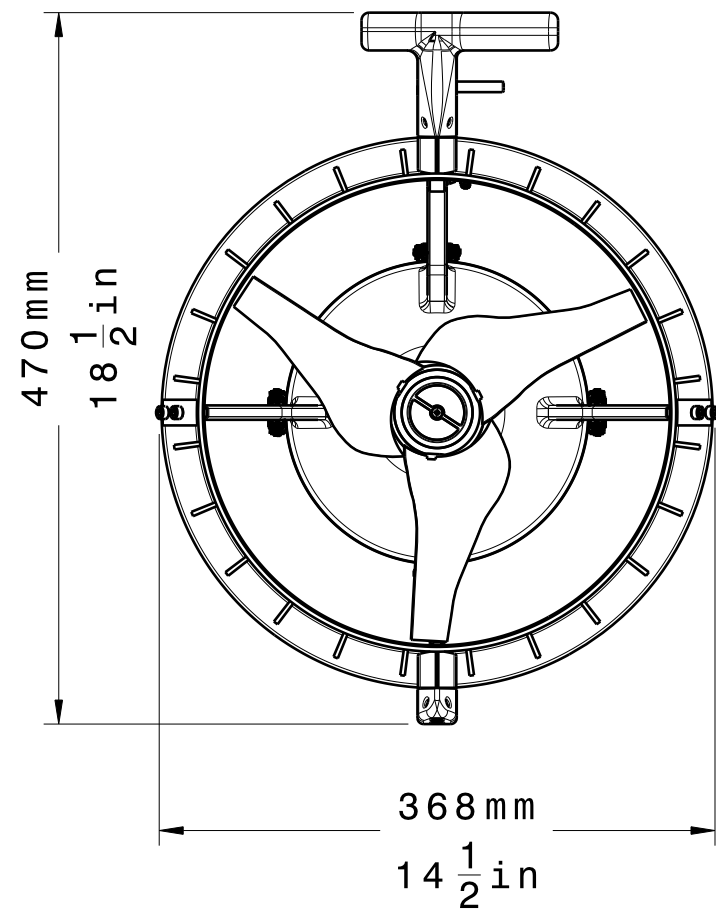




Rev.	Description	Date
1	New Release	XX-XX-XX



Weight: 75 lbs  
34 kg

		<small>© DIVE XTRAS 2004 ALL RIGHTS RESERVED</small> <small>THIS DOCUMENT IS SUPPLIED IN CONFIDENCE. NO REPRODUCTION OF THE DOCUMENT OR ANY PART OF IT OR OF THE ITEMS SHOWN THEREON MAY BE MADE WITHOUT THE COPYRIGHT OWNERS WRITTEN PERMISSION.</small>	
 THIRD ANGLE PROJECTION		Engineer:	
All dimensions are in mm. Deburr & Break all sharp edges		<b>X Scooter Extra Long Body</b>	
Drawing No: <b>INFO</b>		Rev <b>1</b>	Sheet <b>1</b>